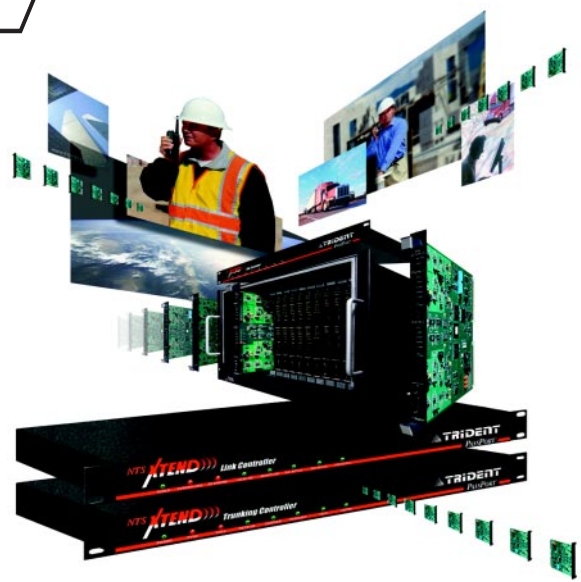


NTS® XTEND



 **TRIDENT**
MICRO SYSTEMS

NTS[®] XTEND

PASSPORT[®] Networking for Smaller Sites

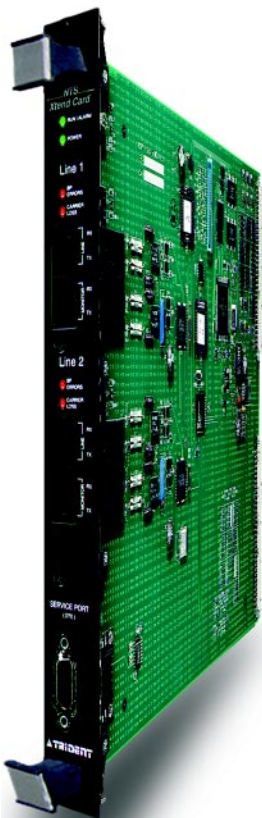
NTS Xtend is designed to provide PassPort operators with expanded flexibility in the design and layout of their trunked system network. Trident Micro Systems' NTS Xtend is the perfect solution for any PassPort operator seeking to expand NTS coverage or add additional sites to a network without installing a Trident NTS at every site in the network.

NTS Xtend is comprised of three individual components:

- 1 The **NTS Xtend Card** is an NTS Application Card which provides connectivity between the host NTS and the Xtend system
- 2 The **NTS Xtend Link Controller** manages communications between the host NTS and the NTS Xtend Trunking Controller(s)
- 3 The **NTS Xtend Trunking Controller** provides logic for each of the individual channels (to a maximum of three) at the remote Xtend site

Flexible Connectivity Options

An NTS Xtend site may be connected to its host NTS through a wide variety of analog and digital connectivity methods.

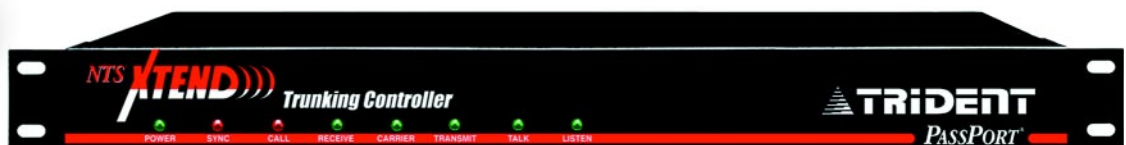


1 NTS[®] Xtend Card

2 NTS[®] Xtend Link Controller

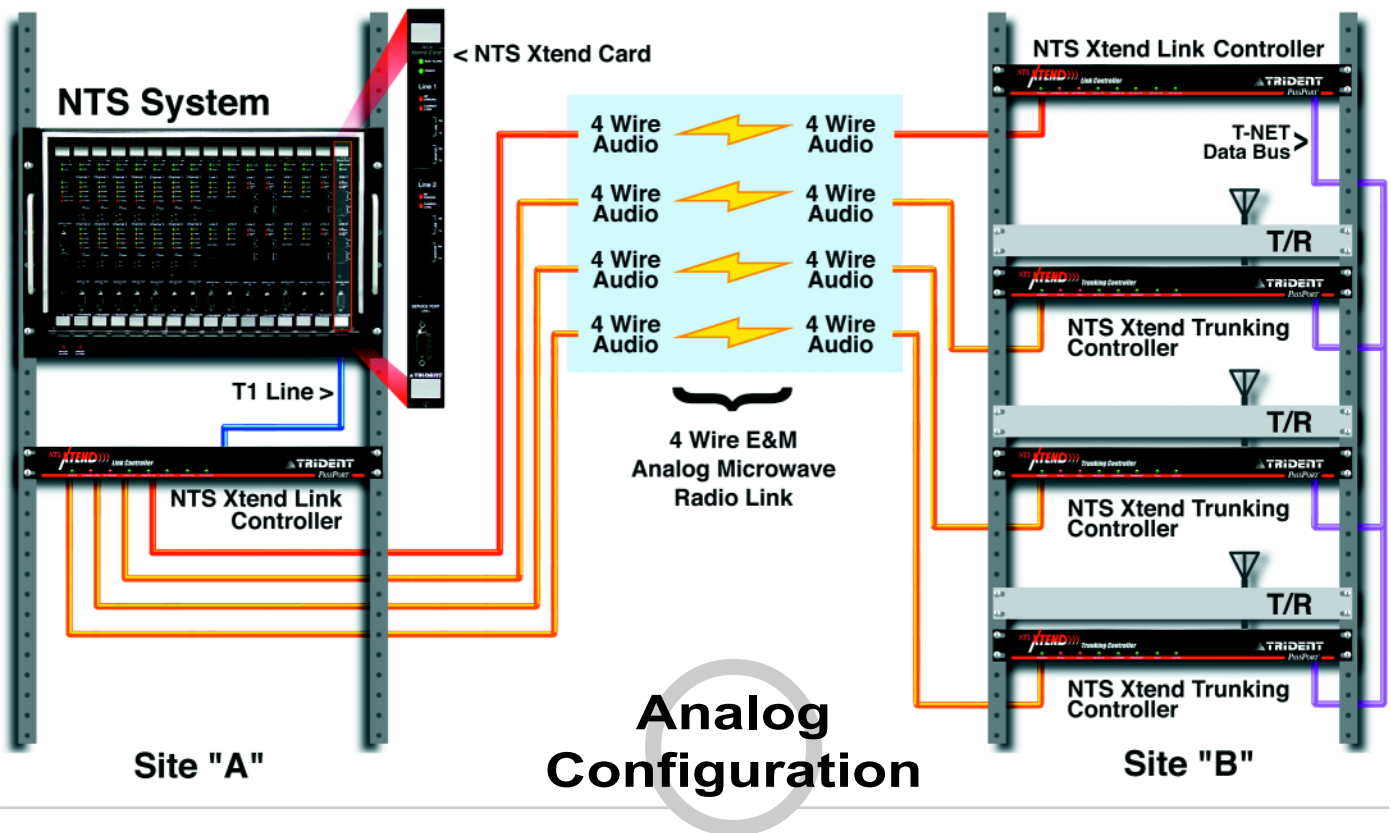
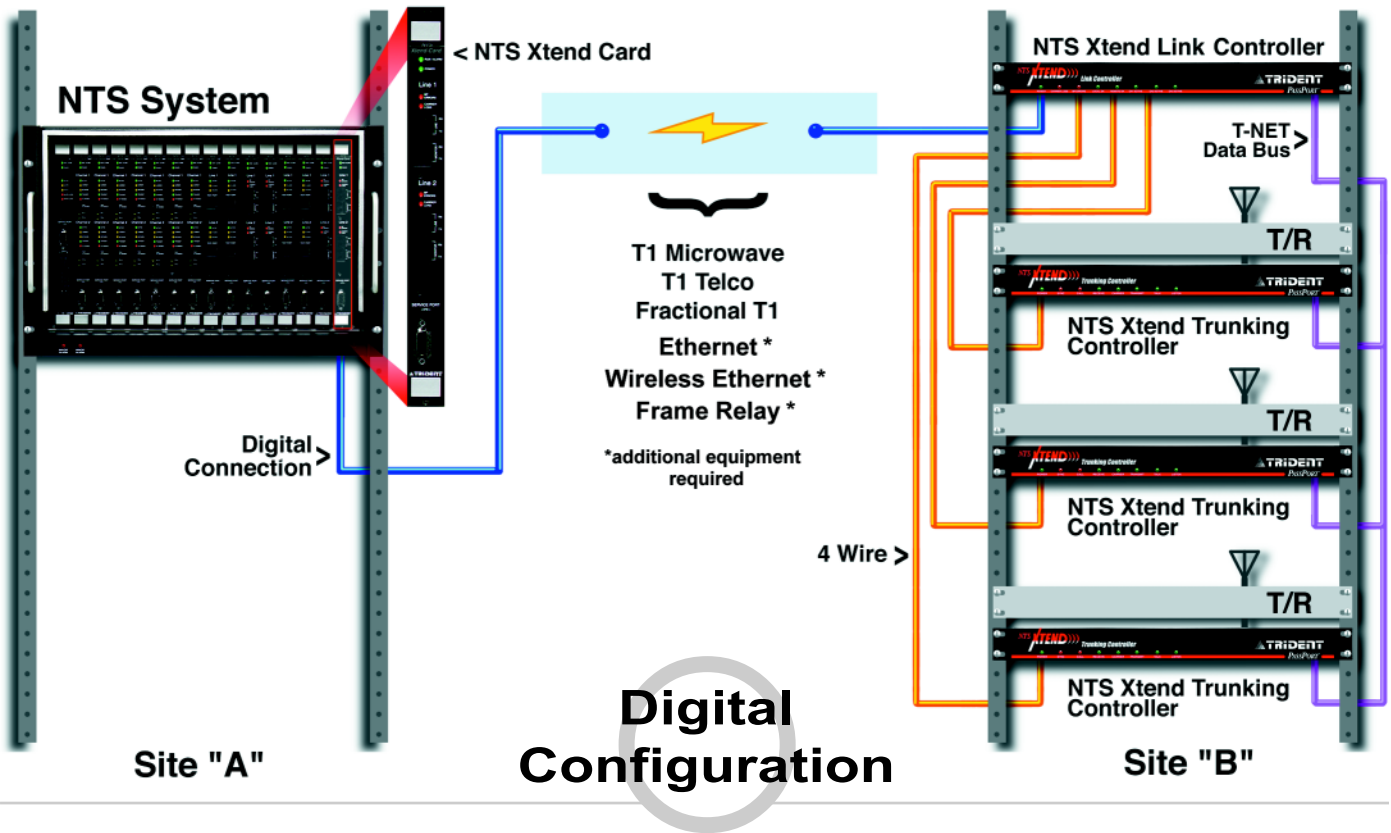


3 NTS[®] Xtend Trunking Controller



NTS Xtend Connectivity

NTS Xtend offers flexible options for linking an NTS Xtend site to an NTS. System design and layout is simplified through the availability of both analog and digital connectivity capabilities.

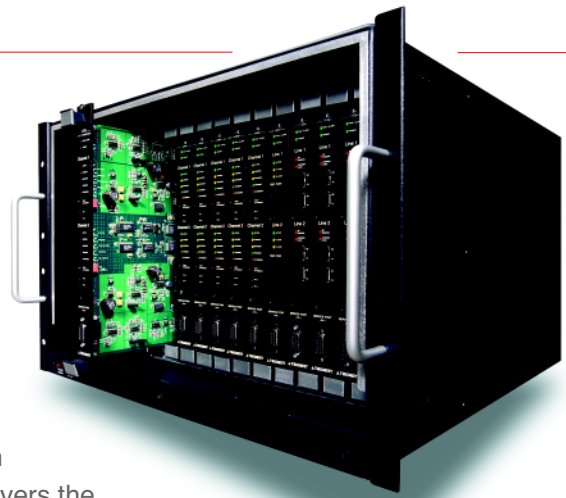


NTS[®] System

Digital Networked Trunking

NTS from Trident Micro Systems connects directly to the NTS Xtend sites in a PassPort trunking network. The NTS is a fully scalable network solution with a unique distributed network architecture. Every NTS is easily expanded with plug-in application cards and stackable chassis'. And, NTS is ready to grow with your digital radio migration requirements as well.

The NTS and NTS Xtend product group offers unparalleled flexibility in network design and configuration. The PassPort trunking protocol delivers the features users demand and the system management network operators need.



NTS[®] XTEND))) Component Specifications

1 NTS[®] Xtend Card

- Transmit & Receive 0 dBm
- Full or Fractional T1, Clear Channel D4
- Slide-in Card for NTS
- Hot Swapable
- Settings Automatically Updated
- Remote Maintenance
- Local Service Port Connection
19200 Baud, 8, 1, None
Interface DB-9 DTE
ANSI-BBS Color

2 NTS[®] Xtend Link Controller

Power and Programming

- Power: 12-16 Volts DC. 350mA @ 12V
- RS-232 Hardware Support:
DCD, DTR, TXD, RXD (DTE port)

T1 Level Specifications

- Maximum Transmit Distance:
655 feet in DSX-1 mode
- Maximum Transmit Level: -7.5 dB in CSU mode
- Receive Level Dynamic Range: +2 dB to -22.5 dB
- Maximum Current on T1 Line: .55A
- T1 Line Impedance: 100 Ohm
- Optional DC bias from TX to RX

Supported Formats

- D4 or ESF
- AMI or B8ZS
- Clear channel on timeslot one only. Timeslots 2-4 may be compressed. Timeslots 5-24 are not used.
- Full or Fractional Support

4 Wire Level Specifications

- Maximum Transmit Level: +7 dBm
- Audio Volume Control Range: +7 dBm to >60dBm
- Transmit Audio Range: +7 dBm to -60dBm
- Receive Audio Range: +7 dBm to -60dBm

3 NTS[®] Xtend Trunking Controller

Repeater Interface

- Discriminator Input 50mV to 1 volt
- TX Audio Output 0 to 2 volts Peak to Peak
- TX Data Output 0 to 2 volts Peak to Peak
- PTT Output Open Drain FET 200mA

Comm Port Interface

- Baud Rate 1200 or 2400 Baud
- Interface Type DB-9 DTE

Data Bus Interface

- T-NET Proprietary Data Bus

Electrical

- Power Supply 11 to 15 volts DC @ 750mA

Environmental

- Operating Temp. -40° to 60 Degrees Celsius
- Humidity 90% Non-condensing

Physical

- Size 1.75"H x 19"W x 6"D
- Mounting 19" Rack - Adjustable Ears
- Weight 3.5 lbs.



Two Trident Drive, Arden, North Carolina 28704
(800) 798-7881 • (828) 684-7474 • Fax ((828) 684-7874
www.tridentms.com • sales@tridentms.com

Trident Micro Systems, a division of Trident Datacom Technologies, Inc., reserves the right to change specifications without notice.
Copyright © 2004 Trident Datacom Technologies, Inc. All Rights Reserved.